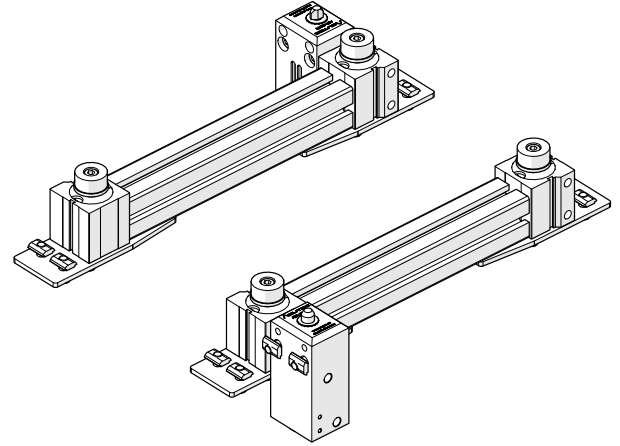


LPK:

Lift Position Kit

The Device:

Lift and Position Kit is a highly configurable device, specifically designed for larger pallets that allows one to locate only, lift only, or both lift and locate. This device mounts directly to the bottom of the conveyor T-slot. When locating, the position cylinders are capable of repeatable, positional accuracy within ± 0.05 mm.



Basic Order of Operation:

1. Pallet is conveyed to device.
2. Pallet is stopped directly over device by stop (not included)
3. For Lift Only: All four cylinders will lift pallet above belt
4. For Position Only: Diamond and round pin positioners will engage locating bushings for positional accuracy but will not lift
5. For Lift and Position: Lift cylinders and locating positioners will all engage simultaneously to lift and locate the pallet above the conveyor belt.
6. Once operation complete, lift and position cylinders will deactivate, disengaging from the pallet.
7. Pallet stop lowers
8. Pallet is conveyed out of work area

Part Number: LPK-(A)-(B)-(C)

- A** = Pallet Width Range 160mm to 1040mm
B = Pallet Length Range 160mm to 1040mm
C = Kit Type: LP (Lift & Position), L (Lift Only), or P (Position Only)

Technical Specifications for Lift Cylinder P-00265

Lift range:	1.5mm above belt
Lift height fine adjustment range:	+/- 10mm
Lift cylinder bore:	40mm
Lift capacity:	150 Lbs. @ 80 psi.
Pallet length minimum:	160mm
Pallet width minimum:	160mm

Technical Specifications for Position Cylinder P-00660

Pallet length minimum:	160mm
Pallet width minimum:	160mm
Pneumatic Ports:	G1/8

LPK Variants

The LPK is available in three variants, designated by the last letter(s) in the part number (LP, L, P). LP indicates that the LPK includes lift and position. L indicates the LPK is only capable of lifting. P indicates the LPK is only capable of positioning

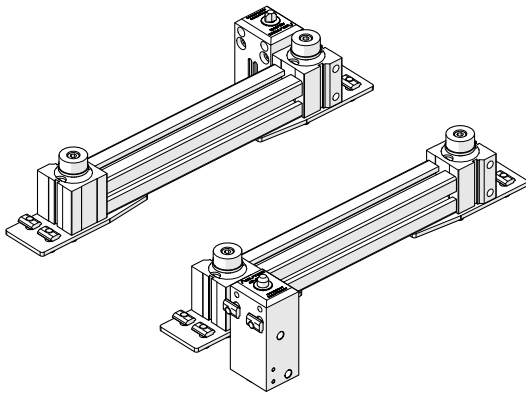


Figure 1: LPK (Lift and Position)

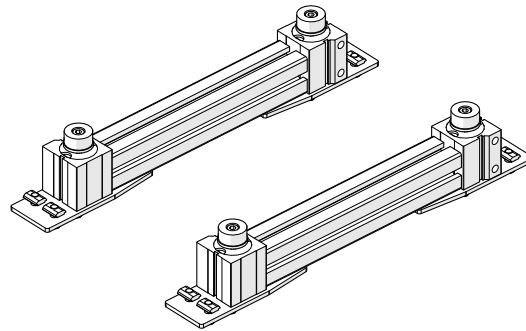


Figure 2: Lift Only

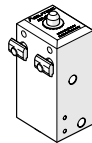
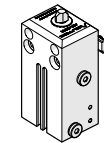


Figure 3: Position Only

Recommended Pneumatic Schematic:

*Fittings and Valves not included

Ports: G1/8

