

Heavy Duty Lift and Locate Unit

Features

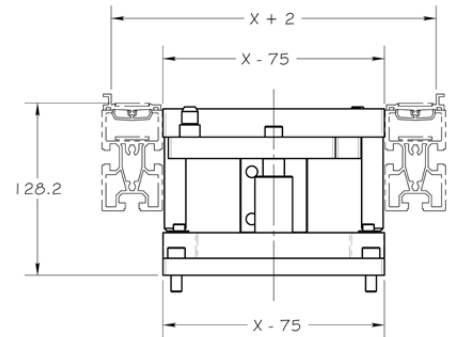
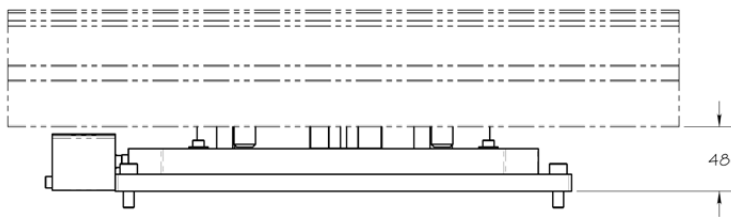
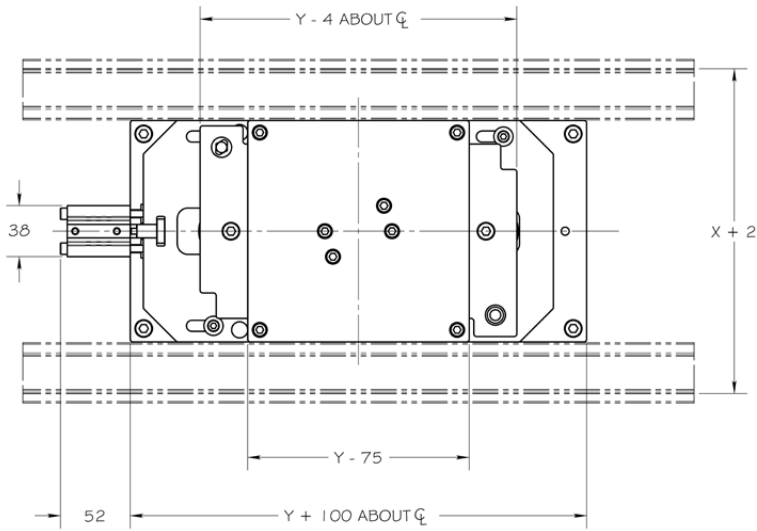
- Pneumatic lift actuation.
- Station or conveyor mounted.

Specifications

- Lifts and locates pallet 1.5mm above belt.
- Lateral and vertical location repeatability within .05mm.
- 40mm bore lift cylinder.
- Lift capacity – 150 Lbs. @ 80 psi.
- Capable of absorbing up to 5000 lbs. when locked in lift position.
- Pallet length range – 180mm to 500mm in 1mm increments.
- Pallet width range – 180mm to 500mm in 1mm increments.

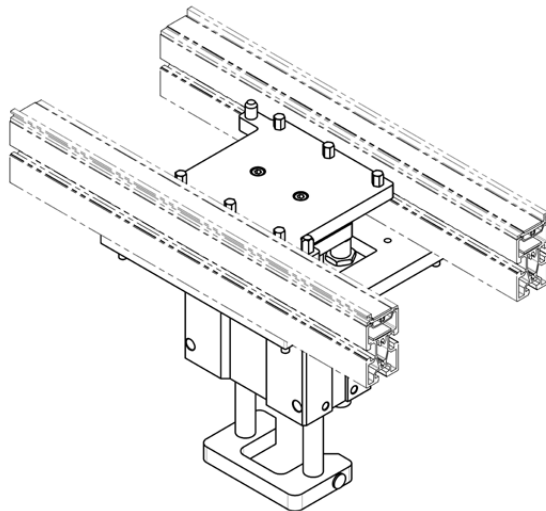


learn more online: glide-line.com



GLIDE-LINE HEAVY DUTY LIFT AND LOCATE UNIT

X = NOMINAL PALLET WIDTH
 Y = NOMINAL PALLET LENGTH



NCC Automated Systems, Inc.
 255 Schoolhouse Road
 Souderton, Pennsylvania 18964

Phone: 215-721-1900
 Fax: 215-721-0633
www.glide-line.com